

E band MMIC SP4T Schottky Diode

E-SP4T-7681 Previously named CO-E1401505

GaAs Diode SP4T, 76-81 GHz

Overview

E-SP4T-7681 is a SP4T Schottky diode based switch that covers frequencies from 76GHz to 81GHz with very low loss (<5dB) when closed and high isolation (>20dB) when open. By using specialist matching circuitry, this MMIC provides an excellent match to 50ohms, even when the branch arm is open which allows ease of integration into complex multipath systems.

All bond pads and the die backside are gold plated. The MMIC is compatible with conventional die attach methods, as well as thermo-compression and thermosonic wire bonding, making it ideal for MCM and hybrid microcircuit applications. All data shown herein is provisional and is measured with the chip in a 50 ohm environment and contacted with RF probes.

Features

- 76 - 81 GHz.
- <5 dB insertion loss.
- >20 dB isolation.
- >10 dB return loss.
(Open or Closed)

Applications

- Millimeter-wave imaging.
- Automotive radar.
- High resolution radar.
- Sensing.
- P2P communications;short haul/
high capacity/low interference
links.
- Medical.
- Automotive radar.

	E band Datasheet	E-SP4T-7681	Issue date: 30 April 2021	DOC REV 4	Page 1 of 8
---	------------------	-------------	---------------------------	-----------	-------------

Specification Overview

Parameter	Min.	Typ.	Max.	Units	Notes
Frequency	76		81	GHz	Biased at 0.81V, 10mA closed Biased at -1.2V, 0mA open
Insertion Loss	5	4.5		dB	
Isolation	20	25		dB	
Return Loss (Open)	10			dB	
Return Loss (Closed)	10			dB	
Closed Voltage		0.81		V	
Open Voltage		-1.2		V	
Closed Current		10		mA	RFOUT1
		7		mA	RFOUT2
		7		mA	RFOUT3
		8		mA	RFOUT4
Open Current		0		mA	

Notes

The tests indicated have all been performed with 100pF de-coupling capacitors on all bias pads. All tests are carried out at 25°C.

Absolute Maximum Ratings

Parameter	Rating
Control Voltage	-2 to +1.5V
RF Power	22 dBm
Storage Temperature	-65°C to +175°C
Channel Temperature	+175°C
Operating Temperature	-40°C to +85°C



ESD (electrostatic discharge) sensitive device. Charged devices and circuit boards can discharge without detection. Although this product features proprietary protection circuitry, damage may occur on devices subjected to ESD. Proper ESD precautions should be taken to avoid performance degradation or loss of functionality.

Measured Performance Data

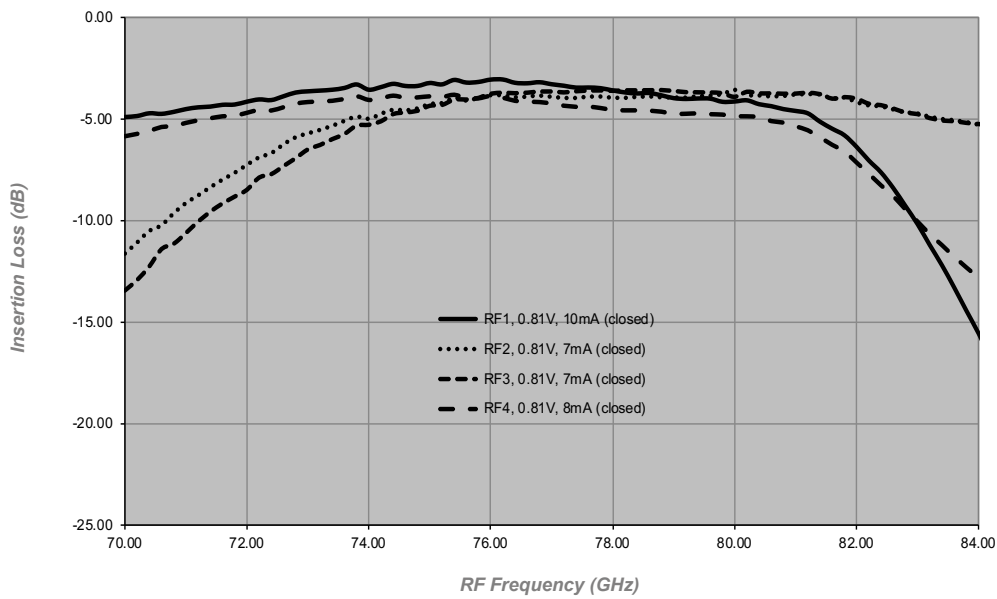


Figure 1
 Insertion Loss
 (all other branches open)

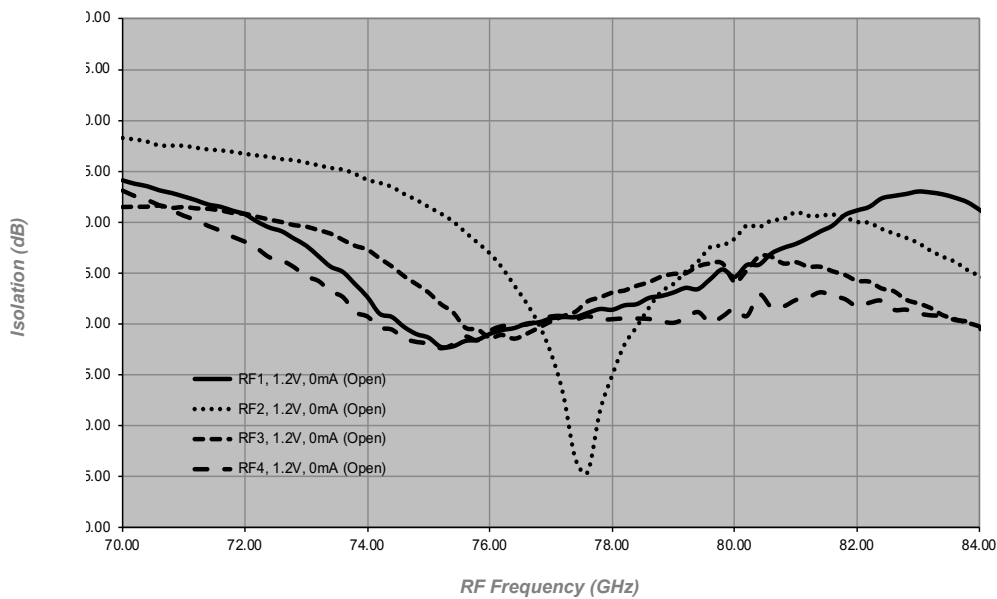


Figure 2
 Isolation
 (one other branch closed)

Measured Performance Data

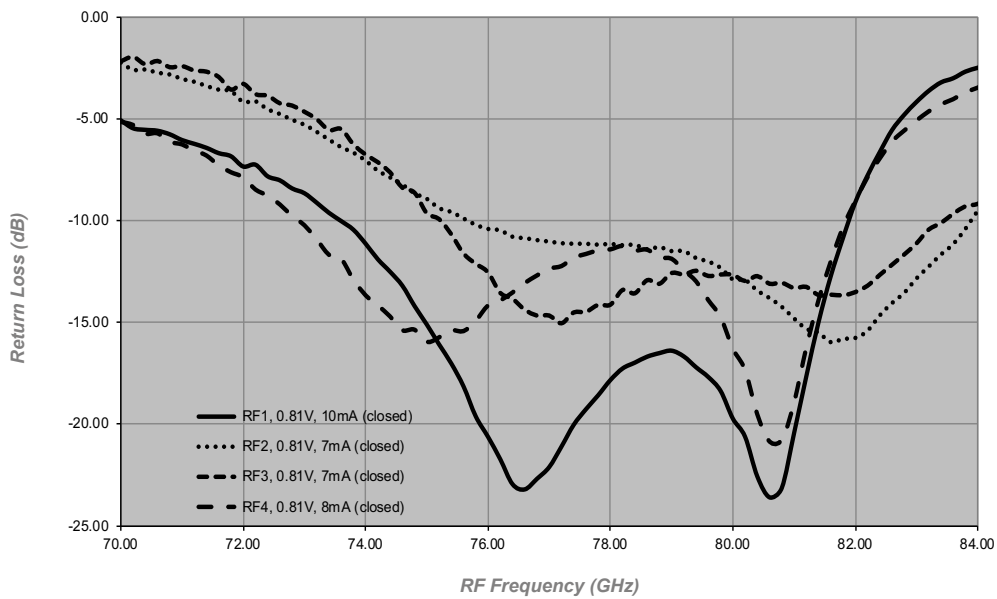


Figure 3
 Common Port Return Loss
 (all other branches open)

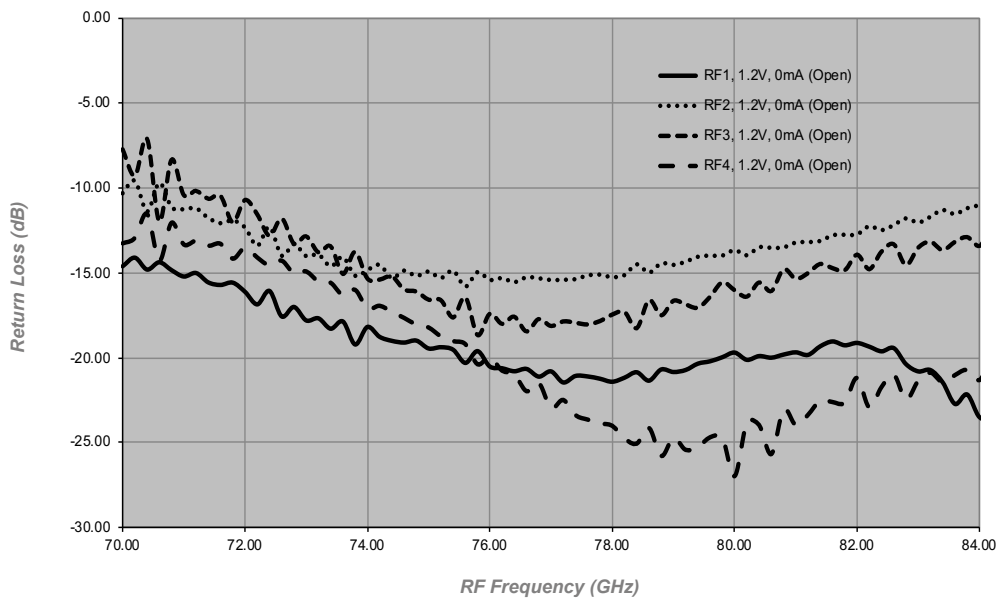
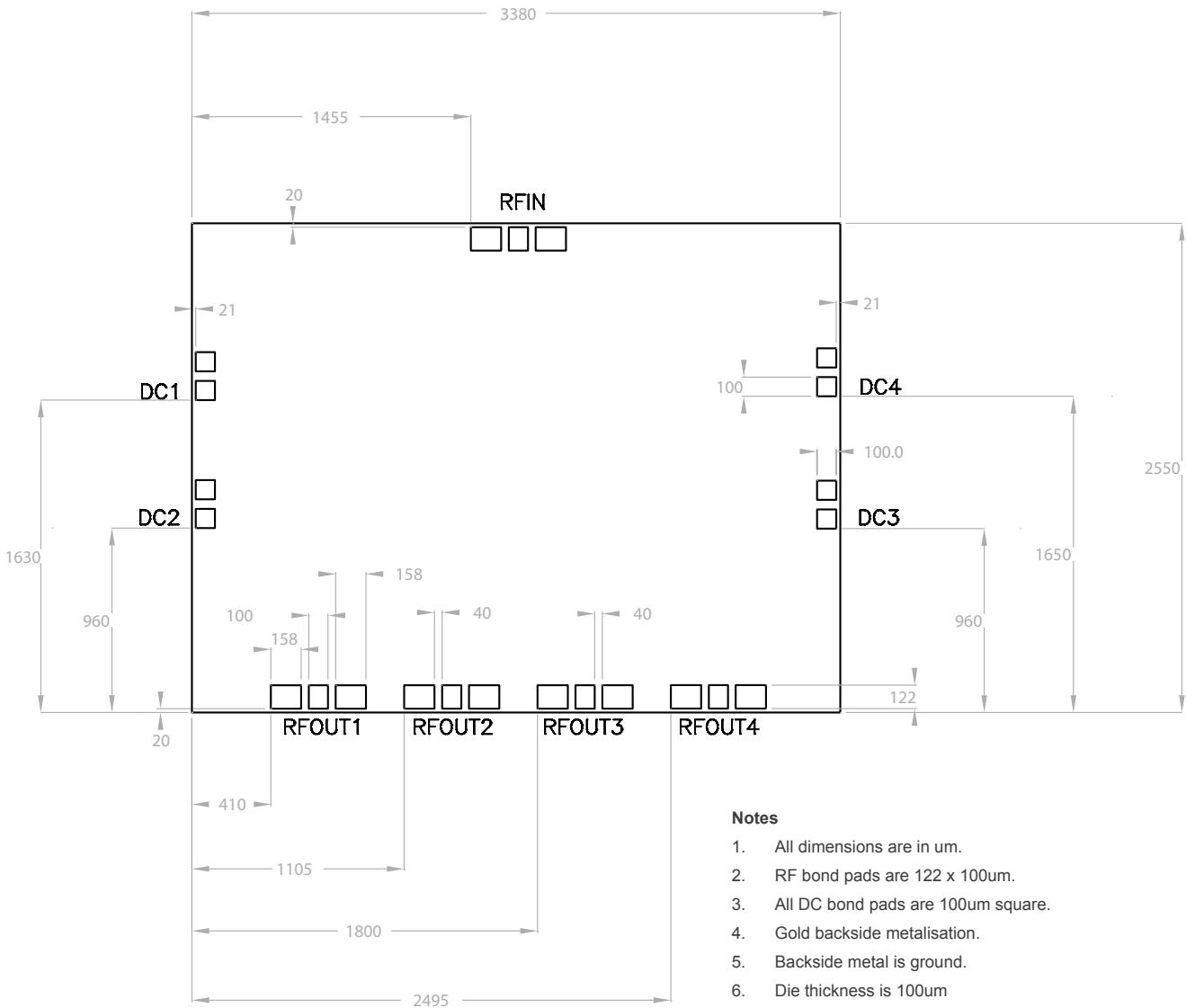


Figure 4
 Open Port Return Loss
 (one other branch closed)

Outline Drawing

Die Packing Information
All die are delivered using gel-paks unless otherwise requested.

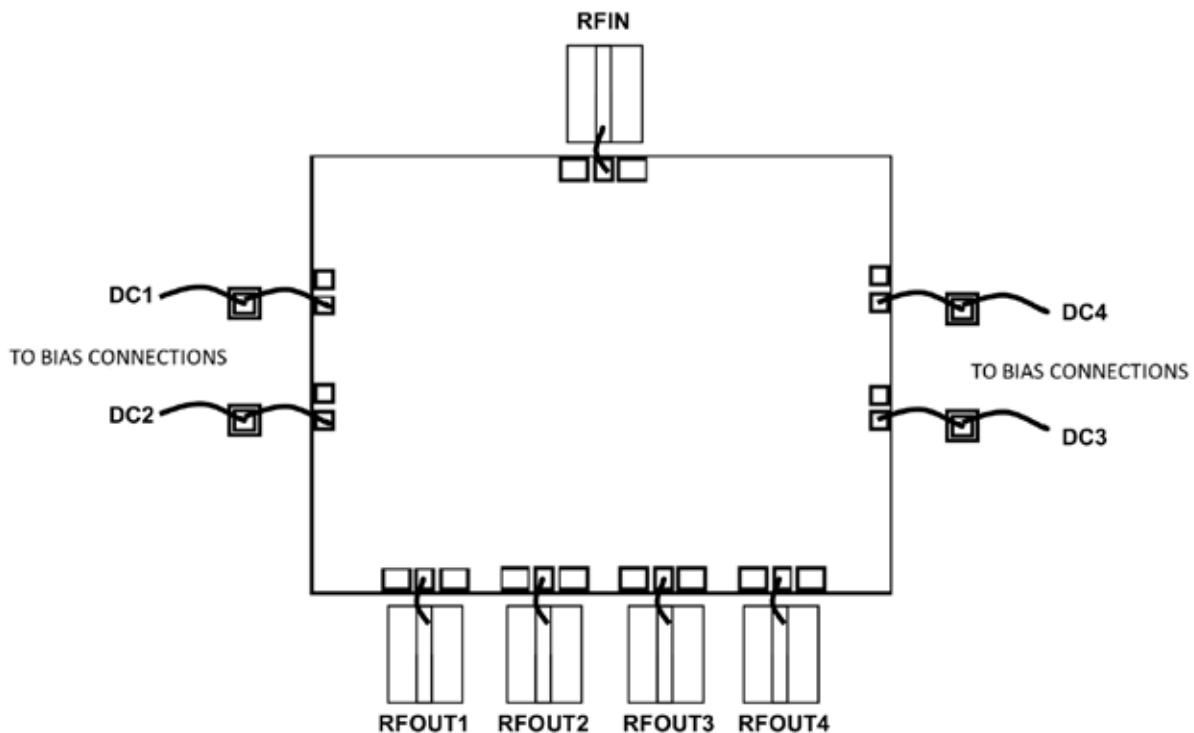


- Notes**
1. All dimensions are in μm.
 2. RF bond pads are 122 x 100μm.
 3. All DC bond pads are 100μm square.
 4. Gold backside metalisation.
 5. Backside metal is ground.
 6. Die thickness is 100μm

Pad Descriptions

Name	Description
RFIN	Common RF input pad. This pad is ac coupled.
RFOUTX	RF output pad for branch X. This pad is ac coupled.
DCX	This is DC control voltage pad for branch X.
BOTTOM	The die backside must be connected to RF/dc ground.

Connection Configurations



General Notes on Assembly

Die should be mounted on conductive material such as gold-plated metal to provide a good ground and suitable heat sink, if necessary.

1. Attaching the die using Au/Sn preforms is preferable. The Eutectic melt for Au/Sn occurs at approximately 280°C so the die (plus mount and preform) is initially heated up to 180°C and then it is heated for approximately 10 seconds to 280°C using a nitrogen heat gun. The device will survive 10 seconds at this temperature. The static breakdown for GaAs devices is approximately 330°C.
2. Pure, dry nitrogen should be used as the heat source.
3. If the devices cannot be lifted/ placed by a vacuum device, then ESD die-lifting tweezers are preferable.
4. Supply lines should be decoupled with 100pF capacitors. Larger planar capacitors could be used if available.
5. Aluminium wire must not be used.

Disclaimer

The information contained herein is believed to be reliable; however, Arralis makes no warranties regarding the information and assumes no responsibility or liability whatsoever for the use of the information contained herein. All information is subject to change without notice, therefore customers should obtain the latest relevant information before placing orders for Arralis products. The information contained herein does not grant, explicitly or implicitly, to any party any patent rights, licenses, or any other intellectual property rights.

This information does not constitute a warranty with respect to the product described, and Arralis disclaims any and all warranties either expressed or implied, relating to sale and/or use of Arralis products including liability or warranties relating to fitness for a particular purpose, consequential or incidental damages, merchantability, or infringement of any patent, copyright or other intellectual property right.

Without limiting the generality of the foregoing, Arralis products are not warranted or authorised for use as critical components in medical, life-saving, or life-sustaining applications, or other applications where a failure would reasonably be expected to cause severe personal injury or death.

Copyright 2021 © Arralis

	E band Datasheet	E-SP4T-7681	Issue date: 30 April 2021	DOC REV 4	Page 7 of 8
---	------------------	-------------	---------------------------	-----------	-------------

©2021 Arralis Ltd. All rights reserved. Trademarks and registered trademarks are the property of their respective owners.

Arralis European Offices
t: +(44) 1793 239670 (UK)
e: sales@arralis.com

arralis.com

Arralis USA Office
+(1) 386 301 3249 (USA)
e: emilie.wren@arralis.com

	E band Datasheet	E-SP4T-7681	Issue date: 30 April 2021	DOC REV 4	Page 8 of 8
---	-------------------------	--------------------	---------------------------	------------------	-------------

No licence is granted under any patent or any patent rights of Arralis. Information furnished by Arralis is believed to be accurate. No responsibility is assumed by Arralis for its use, nor for any infringements on the rights of other parties that may result for the use of the information herein. All specifications are subject to change without notice.