

K band MMIC Downconverter Core Chip

K-DC-1721 Previously named LE-Ka1360302
GaAs PHEMT Downconverter Core Chip 17 – 21GHz

Overview

K-DC-1721 is an integrated low noise amplifier and IQ mixer MMIC that down-converts frequencies from the 17 – 21GHz band into the 3 - 7GHz frequency band. With an integrated amplifier to allow lower LO signal levels, this MMIC provides >6dB gain, with LO Isolation >18dB and a noise figure of 2.5dB while running from a +4V supply voltage at 60mA. By incorporating a self-biased configuration it also provides enhanced temperature stability with no need for a negative supply voltage.

All bond pads and the die underside are gold plated. The MMIC is compatible with conventional die attach methods, as well as thermo-compression and thermosonic wire bonding, making it ideal for MCM and hybrid microcircuit applications. All data shown herein is provisional and is measured with the chip in a 50 Ohm environment and contacted with RF probes.

Features

- 3 – 7GHz output.
- 17 – 21GHz input.
- >6dB conversion gain.
- 2.5dB noise figure.

Applications

- High speed data communications.
- Space communications.
- IOT.
- Security.
- Frequency translation.

	K band Datasheet	K-DC-1721	Issue date: 30 April 21	DOC REV 3	Page 1 of 8
---	------------------	-----------	-------------------------	-----------	-------------

Specification Overview

Parameter	Min.	Typ.	Max.	Units
Output Frequency	3		7	GHz
IF Frequency	17		21	GHz
Conversion Gain		6		dB
LO Frequency		24		GHz
LO Power	7	10		dBm
Noise Figure*		2.5		dB
Voltage (LOAMP)		3		V
Voltage (VCCx)		4		V
Total Current (ICC and ILOAMP)		60		mA

Notes

The tests indicated have all been performed with a 10Ω / 120pF de-coupling network on all bias pads. All tests are carried out at 25°C.

*Measurement carried out on LNA section

Absolute Maximum Ratings

Parameter	Rating
LO Power	15 dBm
RF Power	7 dBm
VCC	6V
LOAMP Voltage	5V
ILOAMP	40mA
Storage Temperature	-65°C to +175°C
Channel Temperature	+175°C
Operating Temperature	-40°C to +85°C



ESD (electrostatic discharge) sensitive device. Charged devices and circuit boards can discharge without detection. Although this product features proprietary protection circuitry, damage may occur on devices subjected to ESD. Proper ESD precautions should be taken to avoid performance degradation or loss of functionality.

Measured Performance Data

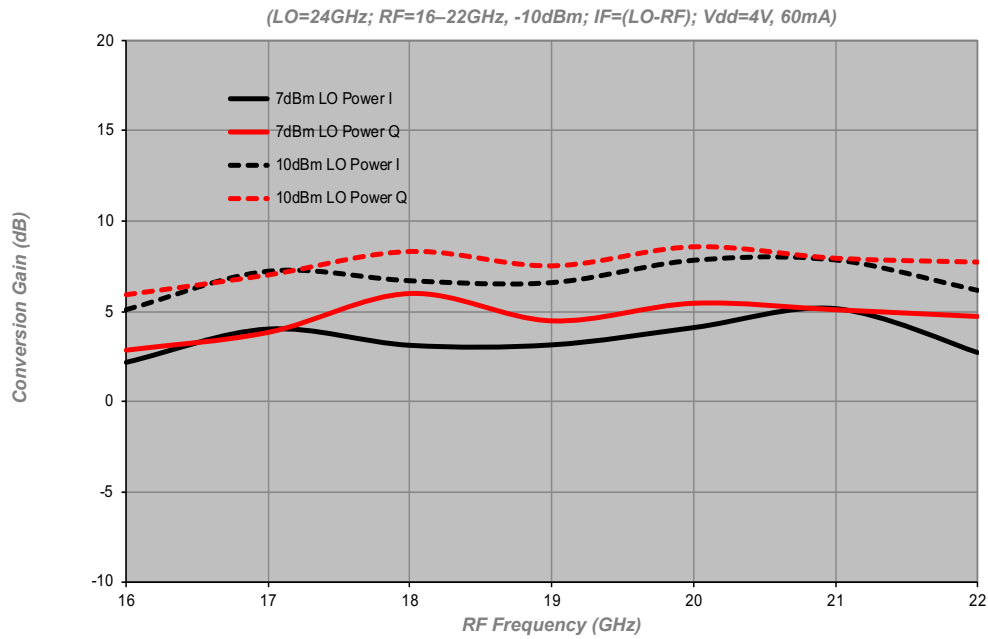


Figure 1
 Conversion Gain v RF Frequency

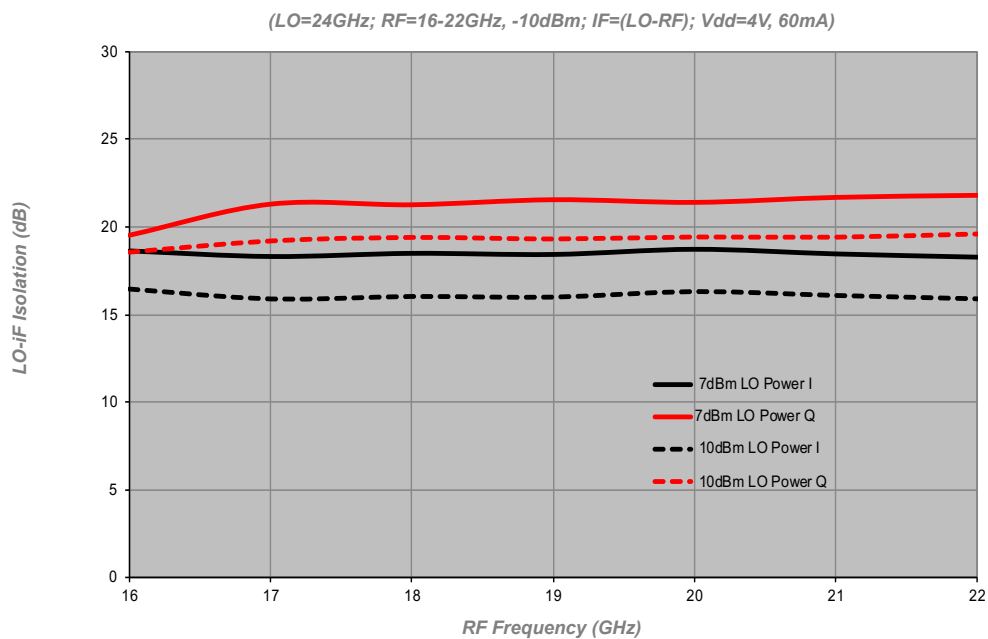


Figure 2
 LO-IF Isolation

No licence is granted under any patent or any patent rights of Arralis. Information furnished by Arralis is believed to be accurate. No responsibility is assumed by Arralis for its use, nor for any infringements on the rights of other parties that may result for the use of the information herein. All specifications are subject to change without notice.

Measured Performance Data

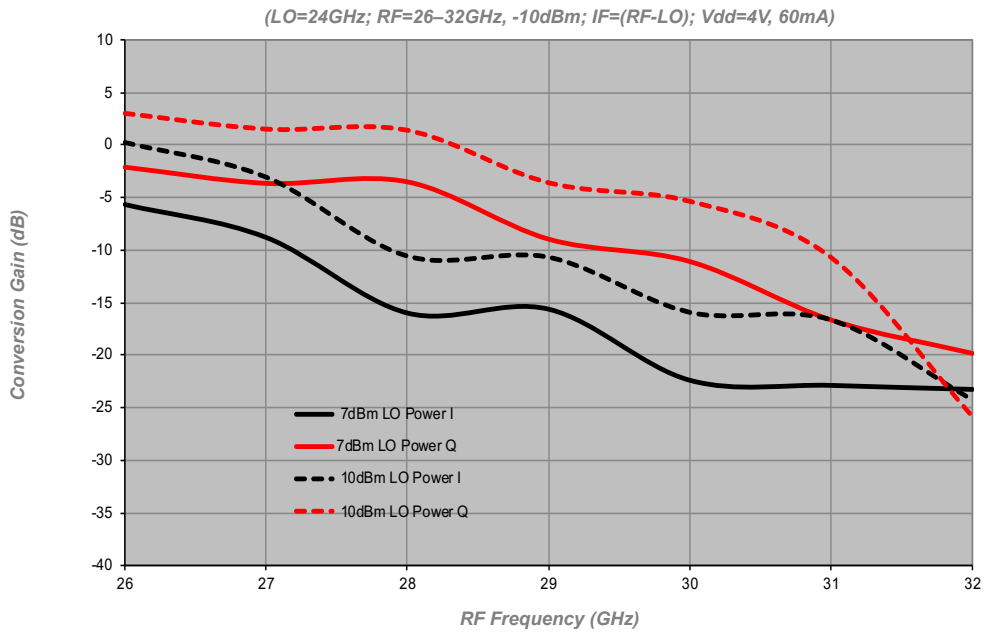


Figure 3
 Image Conversion Gain

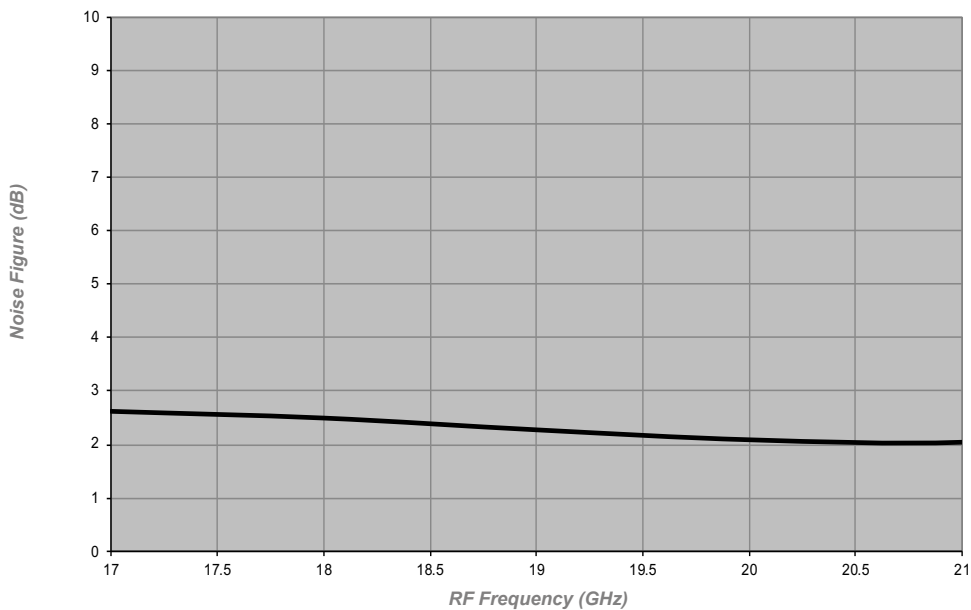
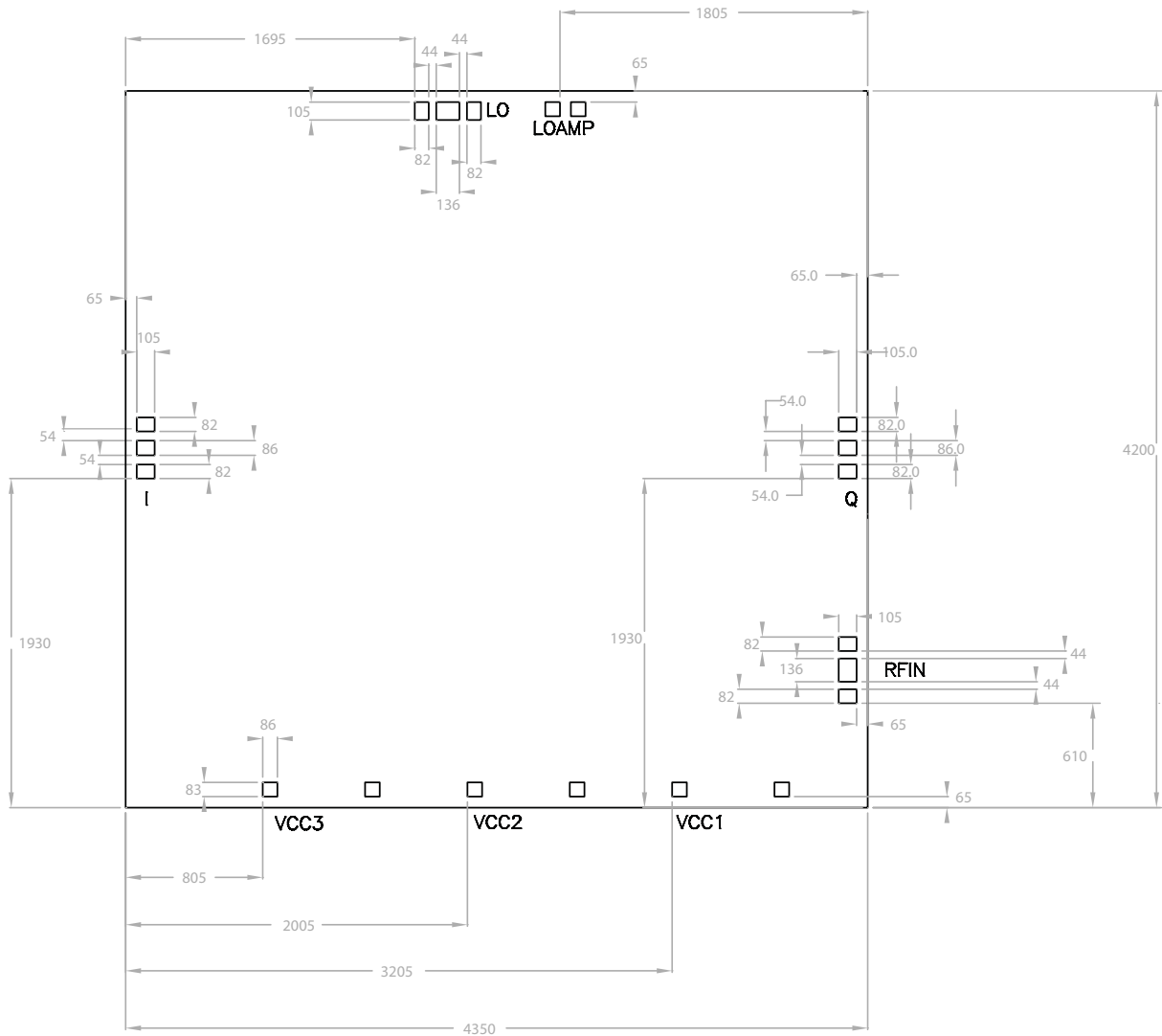


Figure 4
 Noise Figure*

*Noise Figure measurement carried out on LNA section

Outline Drawing

Die Packing Information
All die are delivered using gel-paks unless otherwise requested.

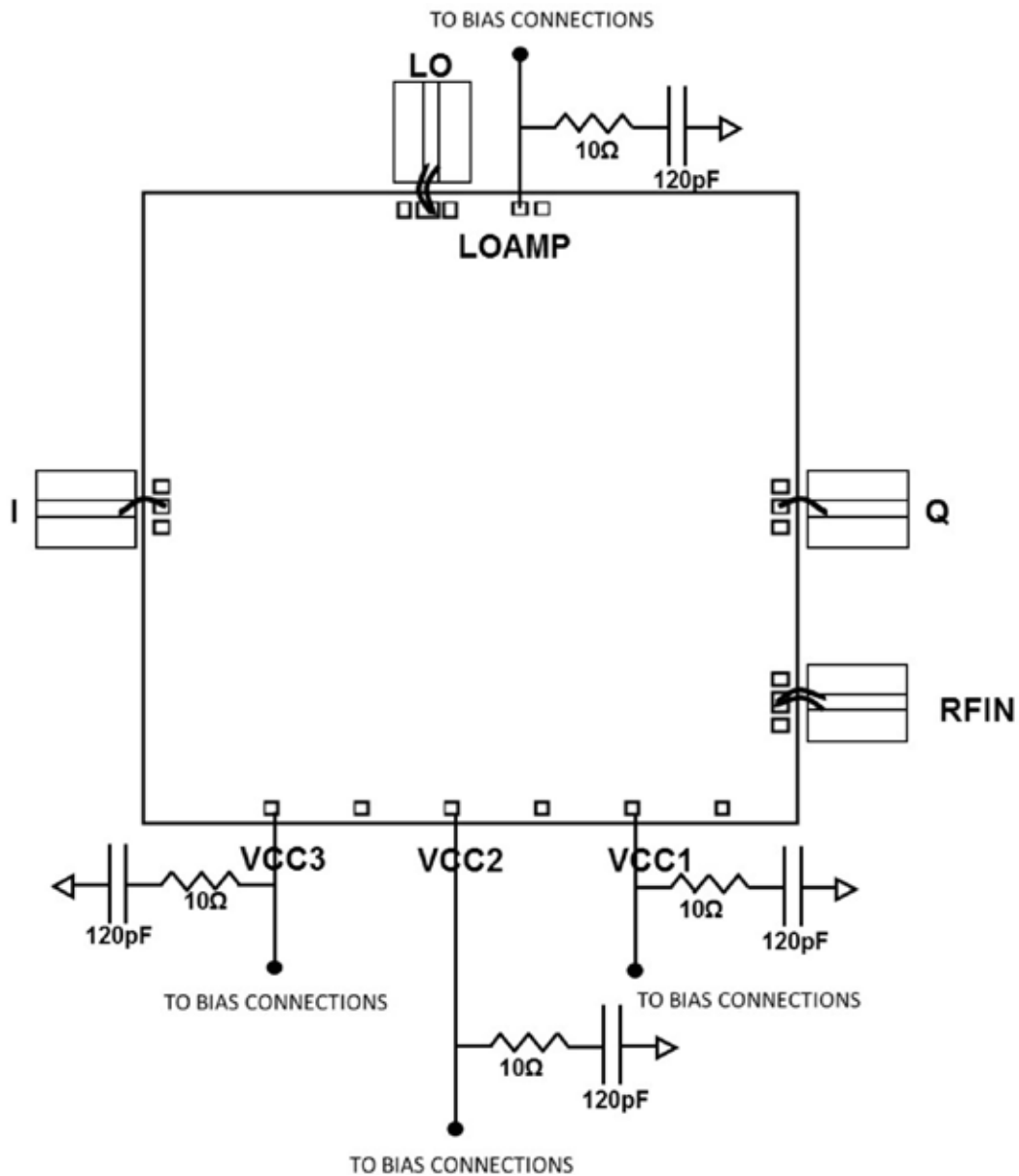


Notes

1. All dimensions are in um.
2. DC bond pads are 86 x 83um.
3. LO and rfout bond pads are 105 x 136um.
4. I and Q bond pads are 105 x 86um.
5. All pads have gold metalisation.
6. Gold backside metalisation.
7. Backside metal is ground.
8. Connections are not required for unlabeled bond pads.
9. Die thickness is 100um.

	K band Datasheet	K-DC-1721	Issue date: 30 April 21	DOC REV 3	Page 5 of 8
---	------------------	-----------	-------------------------	-----------	-------------

Connection Configurations



Pad Descriptions

Name	Description
LO	LO signal input pad. This pad is AC coupled.
RFIN	RF input pad. This pad is AC coupled.
I	I pad. This pad is DC coupled.
Q	Q pad. This pad is DC coupled.
VCCx	Voltage pad for stage x of the Low Noise Amplifier
LOAMP	LO amplifier bias pad.
BOTTOM	The die backside must be connected to RF/DC ground.

General Notes on Assembly

Die should be mounted on conductive material such as gold-plated metal to provide a good ground and suitable heat sink, if necessary.

1. Attaching the die using Au/Sn preforms is preferable. The Eutectic melt for Au/Sn occurs at approximately 280°C so the die (plus mount and preform) is initially heated up to 180°C and then it is heated for approximately 10 seconds to 280°C using a nitrogen heat gun. The device will survive 10 seconds at this temperature. The static breakdown for GaAs devices is approximately 330°C.
2. Pure, dry nitrogen should be used as the heat source.
3. If the devices cannot be lifted/ placed by a vacuum device, then ESD die-lifting tweezers are preferable.
4. Supply lines should be decoupled with 100pF capacitors. Larger planar capacitors could be used if available.
5. Aluminium wire must not be used.

Disclaimer

The information contained herein is believed to be reliable; however, Arralis makes no warranties regarding the information and assumes no responsibility or liability whatsoever for the use of the information contained herein. All information is subject to change without notice, therefore customers should obtain the latest relevant information before placing orders for Arralis products. The information contained herein does not grant, explicitly or implicitly, to any party any patent rights, licenses, or any other intellectual property rights.

This information does not constitute a warranty with respect to the product described, and Arralis disclaims any and all warranties either expressed or implied, relating to sale and/or use of Arralis products including liability or warranties relating to fitness for a particular purpose, consequential or incidental damages, merchantability, or infringement of any patent, copyright or other intellectual property right.

Without limiting the generality of the foregoing, Arralis products are not warranted or authorised for use as critical components in medical, life-saving, or life-sustaining applications, or other applications where a failure would reasonably be expected to cause severe personal injury or death.

Copyright 2021 © Arralis

©2021 Arralis Ltd. All rights reserved. Trademarks and registered trademarks are the property of their respective owners.

Arralis European Offices
t: +(44) 1793 239670 (UK)
e: sales@arralis.com

arralis.com

Arralis USA Office
+(1) 386 301 3249 (USA)
e: emilie.wren@arralis.com

	K band Datasheet	K-DC-1721	Issue date: 30 April 21	DOC REV 3	Page 8 of 8
---	-------------------------	------------------	-------------------------	------------------	-------------